

AXOR Massaud
3-hole basin mixer for concealed installation wall-mounted with spout 262 mm
 Surfaces: **Chrome** Article Number: **18115000**



Description

product features

- consists of: 3-hole basin mixer for concealed installation wall-mounted, waste set
- projection 259 mm
- wide flood jet
- flow rate at 3 bar: 4 l/min
- ceramic valves hot/ cold 180°
- suitable for continuous flow water heaters
- non-closing waste set
- connection dimension: DN15

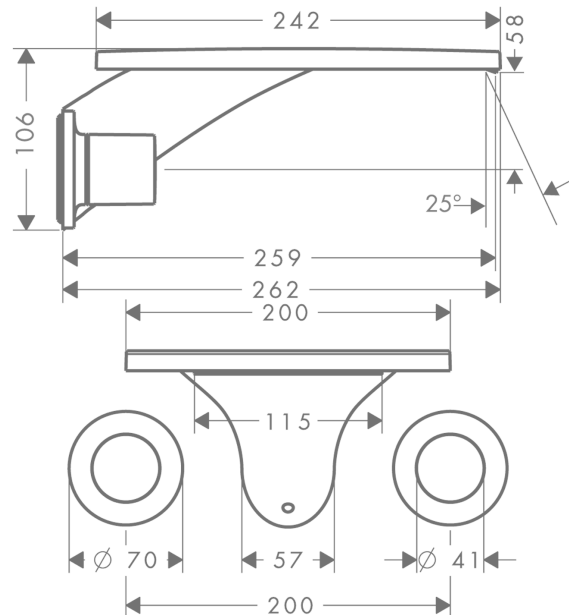
Technology



Product image



Scale drawing



Flowchart

